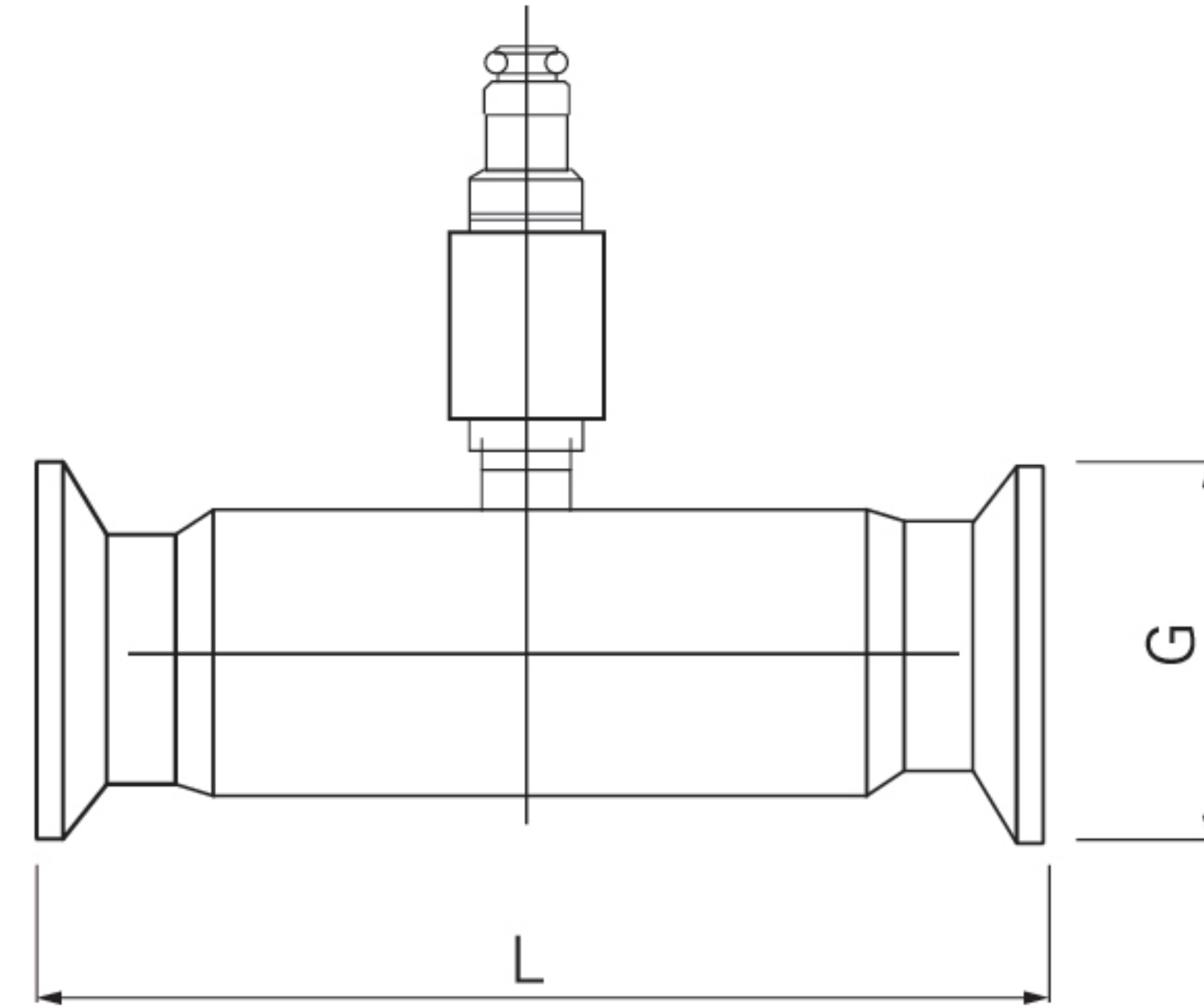


The Serie KF500-KA Clamp Type Turbine Flowmeter

From DN10 to DN65, easy to install and maintain



The Series KF500-KA Clamp Type Turbine Flowmeter is widely used in applications requiring special cleanliness in industries such as food, beverage, and pharmaceuticals, petroleum. The metering accuracy can reach $\pm 0.5\%$ to $\pm 1\%$, making it commonly used in pipeline systems requiring precise flow monitoring, laboratory testing, etc. Its measurement principle relies on the fluid impacting the turbine blades, causing them to rotate at a speed proportional to the fluid velocity. As the blades rotate, they cut through the magnetic field of the magneto-electric sensor, generating electrical pulse signals whose frequency correlates with the flow rate. By measuring the pulse frequency or accumulating the total number of pulses, both instantaneous and cumulative flow measurements are achieved.

FEATURES

- Flange connection for convenient installation
- Intuitive measurement with linear correlation between rotational speed and flow rate
- High measurement accuracy
- Simple structure, easy maintenance, low maintenance cost
- Suitable for clean liquids like water and oil, featuring a wide turndown ratio and broad application range
- Highly sensitive to flow changes, rapid response, capable of reflecting flow velocity fluctuations in real time

APPLICATIONS

- Petrochemical Industry
- Metallurgical Industry
- Textile Industry
- Pharmaceutical Industry
- Semiconductor Industry
- Food and Beverage Industry
- Paper and Pulp
- Power Plants
- Urban Water Supply and Drainage
- Environmental Protection
- New Energy Industry
- Shipbuilding Industry

SPECIFICATIONS

Pipe Size	DN10 - DN65
Wetted Materials	304 stainless steel, Optional 316 stainless steel
Accuracy	$\pm 0.5\%$
Ambient Temperature	-25°C to 55°C
Temperature Rating	-20°C to 100°C
Pressure Rating	1.6MPa
Process Connection	Clamp connection
Power Supply	24V DC, optional battery-powered
Output	4~20mA, pulse
Enclosure Rating	IP65

MODEL CHART

Example	KF500-KA	-A	-J	-25	-IT	
Series	KF500-KA					Turbine Flowmeter
Converter Type		A				Integrated Type
		B				Remote Type
Process Connection			J			Clamp Type
Pipe Size				10		DN10, Flow Range: 0.2 m ³ /h - 1.2 m ³ /h, Max. Pressure Loss: 0.05MPa, G x L=51x100, 1Kg
				15		DN15, Flow Range: 0.4 m ³ /h - 4 m ³ /h, Max. Pressure Loss: 0.035MPa, G x L=51x100, 1.1Kg
				20		DN20, Flow Range: 0.7 m ³ /h - 7 m ³ /h, Max. Pressure Loss: 0.035MPa, G x L=51x100, 1.5Kg
				25		DN25, Flow Range: 1 m ³ /h - 10 m ³ /h, Max. Pressure Loss: 0.025MPa, G x L=51x100, 2Kg
				32		DN32, Flow Range: 1.6 m ³ /h - 16 m ³ /h, Max. Pressure Loss: 0.025MPa, G x L=64x140, 3.5Kg
				40		DN40, Flow Range: 2.5 m ³ /h - 25 m ³ /h, Max. Pressure Loss: 0.025MPa, G x L=64x140, 5Kg
				50		DN50, Flow Range: 4 m ³ /h - 40 m ³ /h, Max. Pressure Loss: 0.025MPa, G x L=77.5x150, 6.5Kg
				65		DN65, Flow Range: 6 m ³ /h - 60 m ³ /h, Max. Pressure Loss: 0.025MPa, G x L=91x182, 8Kg
Product Type					PT	3-wire, 24V DC power supply, pulse output
					CT	2-wire, 24V DC power supply, 4-20mA output
					BT	Battery-powered, with displays of instantaneous and cumulative flow, no output signal
					IT	Smart type, with both 24V DC and 220V AC power supplies, with 4-20mA, pulse outputs, with displays of instantaneous and cumulative flow